

WEATHERPROOF FRAME



EASY TO PRESENT YOUR ADS IN DIFFICULT WEATHER CONDITIONS

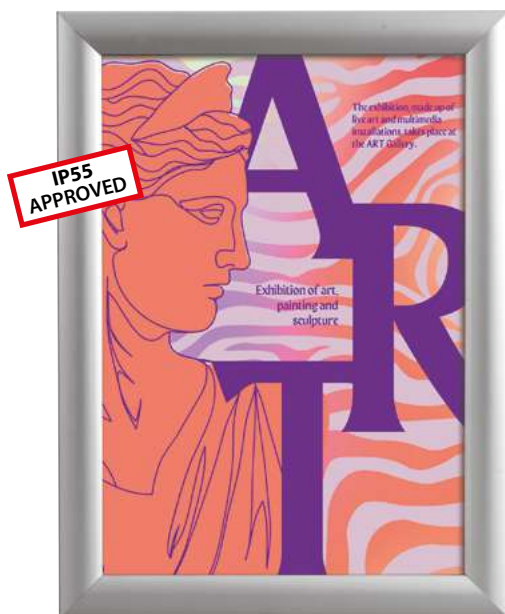
Weatherproof Frames are a versatile and affordable option for presenting advertising content and other forms of public communication in an outdoor environment. They are easy to use and easy to poster when the sides flip open. The natural silver-anodized finish aluminium frame, also available in different RAL colors is weather resistant and is a great display to exhibit signage outdoors.

As an outdoor display unit, each frame has been designed to achieve maximum weather resistance and protection from other corrosive agents. The snap frame has been manufactured with a sturdy aluminium border and also features inner rubber gaskets to achieve resistance from unfavourable weather conditions, including rain and dust. An additional feature of the outdoor frame offering protection to images is the anti-glare transparent cover sheet. This protective overlay enhances graphic visibility, maximising interest and customer engagement with your prints.

Once the poster display is mounted into the wall it will assist all future advertising and promotional needs through the simple and easy rotation of alternative posters fastened by snap frame.

KEY SELECTION ATTRIBUTES

- * Ideal for various poster sizes.
- * Natural silver-anodized and various RAL colors available with antimicrobial powder coating.
- * Standard mitred corners.
- * Water drainage holes on both long and short sides provideweatherproof availabilities for both landscape and portrait positions.
- * Weatherproof IP55
- * Patent protected (TR 2006 06254 PCT/TR06/000064)
- * Optional V-Hangers for easy mounting.



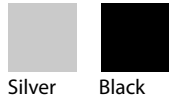
25 mm



35 mm

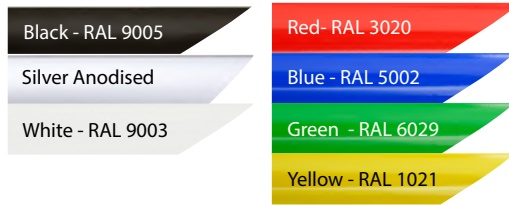


COLOURS IN STOCK

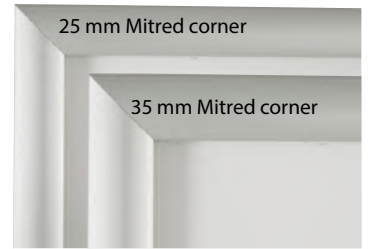


Silver Black

COLOUR OPTIONS



CORNER TYPES



SUITABLE FOR

Weatherproof Snap Frame can be used for INDOOR and OUTDOOR applications, for signage needs in many locations like shopping centers, markets, groceries, hotels, offices airports, shops and stores, hospitals, schools, apartments, museums, restaurants, theatres, commercial advertising, and even art works and many more.

WATCH VIDEO



Watch video at our website www.mtdisplays.com

FEATURES

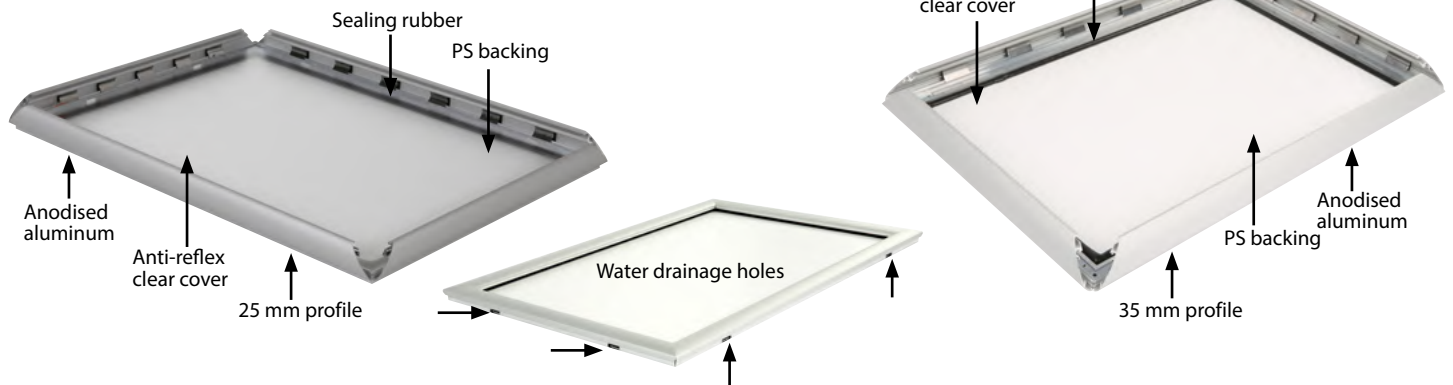
25 mm



35 mm

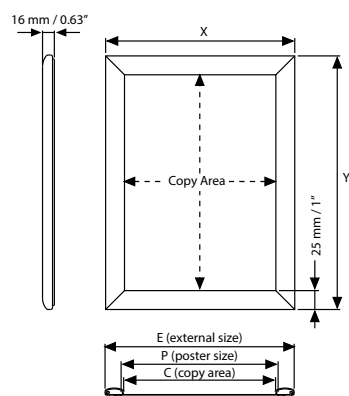


EXPLODED VIEW

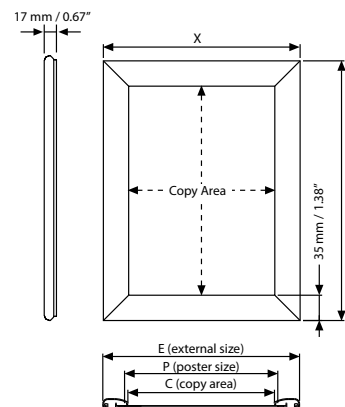


TECHNICAL DRAWING

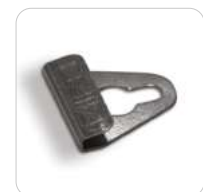
25 mm



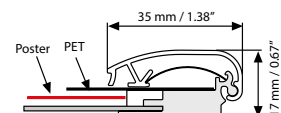
35 mm



OPTIONAL ACCESSORIES



V Hanger / UYAA011010



T: +90 850 433 67 85 / info@mtdisplays.com / www.mtdisplays.com

ARTICLES

PROFILE : 25 mm 45°				
SILVER	BLACK	EXTERNAL (x-y)	POSTER	COPY
UCH255N0A4	UCH255B0A4	259 X 346 mm	210 X 297 mm	208 X 295 mm
UCH255N0A3	UCH255B0A3	346 X 469 mm	297 X 420 mm	295 X 418 mm
UCH255N0A2	UCH255B0A2	469 X 643 mm	420 X 594 mm	418 X 592 mm
UCH255N0A1	UCH255B0A1	643 X 890 mm	594 X 841 mm	592 X 839 mm
UCH255N0B2	UCH255B0B2	549 X 749 mm	500 X 700 mm	498 X 698 mm
UCH255N0B1	UCH255B0B1	749 X 1049 mm	700 X 1000 mm	698 X 998 mm
UCH255N018	UCH255B018	19.88" X 25.94"	18" X 24"	17.87" X 23.94"
UCH255N023	UCH255B023	21.93" X 31.93"	20" X 30"	19.92" X 29.92"
UCH255N022	UCH255B022	23.94" X 29.92"	22" X 28"	21.93" X 27.91"
UCH255N024	UCH255B024	25.94" X 37.91"	24" X 36"	23.94" X 35.91"
UCH255N034	UCH255B034	811 X 1065 mm	30" X 40"	29.92" X 39.92"

WEIGHT	PACKING SIZE
WITH PACKING	*W X H X D
0,635 kg	260 X 360 X 31 mm
0,960 kg	360 X 460 X 31 mm
1,570 kg	460 X 670 X 31 mm
2,700 kg	660 X 910 X 31 mm
2,100 kg	560 X 760 X 31 mm
3,900 kg	760 X 1060 X 31 mm
3.527 lbs	20.47" X 26.38" X 0.91"
5.247 lbs	22.44" X 32.68" X 1.22"
4.850 lbs	24.41" X 30.71" X 1.22"
5.401 lbs	26.77" X 38.58" X 1.22"
9.016 lbs	820 X 10180 X 31 mm

PROFILE : 35 mm 45°				
SILVER	BLACK	EXTERNAL (x-y)	POSTER	COPY
UCH355N0A4	UCH355B0A4	276 X 363 mm	210 X 297 mm	206 X 293 mm
UCH355N0A3	UCH355B0A3	363 X 486 mm	297 X 420 mm	293 X 416 mm
UCH355N0A2	UCH355B0A2	486 X 660 mm	420 X 594 mm	416 X 590 mm
UCH355N0A1	UCH355B0A1	660 X 907 mm	594 X 841 mm	590 X 837 mm
UCH355N0A0	UCH355B0A0	907 X 1255 mm	841 X 1189 mm	837 X 1185 mm
UCH355N0B2	UCH355B0B2	566 X 766 mm	500 X 700 mm	496 X 696 mm
UCH355N0B1	UCH355B0B1	766 X 1066 mm	700 X 1000 mm	696 X 996 mm
UCH355N0B0	UCH355B0B0	1066 X 1466 mm	100 X 1400 mm	996 X 1396 mm
UCH355N018	UCH355B018	20.47" X 26.46"	18" X 24"	17.72" X 23.70"
UCH355N023	UCH355B023	22.60" X 32.60"	20" X 30"	19.84" X 29.84"
UCH355N022	UCH355B022	24.45" X 30.47"	22" X 28"	21.69" X 27.72"
UCH355N024	UCH355B024	26.46" X 38.46"	24" X 36"	23.70" X 35.71"
UCH355N034	UCH355B034	32.60" X 42.60"	30" X 40"	29.84" X 39.84"
UCH355N046	UCH355B046	42.60" X 62.60"	40" X 60"	39.84" X 59.84"

WEIGHT	PACKING SIZE
WITH PACKING	*W X H X D
0,730 kg	280 X 365 X 23 mm
1,105 kg	365 X 490 X 23 mm
1,750 kg	490 X 670 X 23 mm
2,990 kg	670 X 920 X 23 mm
5,820 kg	920 X 1270 X 23 mm
2,330 kg	572 X 780 X 23 mm
4,000 kg	780 X 1072 X 23 mm
7,240 kg	1072 X 1480 X 23 mm
4,078 lbs	21.65" X 27.17" X 0.91"
5,643 lbs	22.83" X 32.83" X 0.91"
5,511 lbs	25.59" X 31.50" X 0.91"
7,495 lbs	27.56" X 39.37" X 0.91"
9.590lbs	32.83" X 42.83" X 0.91"
17.636lbs	42.83" X 62.99" X 0.91"

PHYSICAL DATA

Material

25 mm and 35 mm aluminum profiles.
PET poster cover, PS backing or ABS backing.
Rubber Sealing.

Poster Material & Thickness

0,10 – 0,20 mm for standard product. Max poster thickness is 2 mm. Any non-standard poster thicknesses should be indicated with order.

Surface Finish

Silver anodized, or black colour, antimicrobial powder coating. Custom colors also available, call for custom color requests.

Recycled Content

Up to 78% recycled content used.

Warranty

All products are guaranteed for 3 years by MT Displays with below conditions:
[Warranty Conditions](#)

Installation Considerations

Each frame includes wall mounting accessories (4 screws & 4 plugs). Each frame is packed individually in a cardboard box. 'Optional hangers' permit easy mounting. Please use the pull sticker to take off the cover. Please place the poster inside the water wick a round the poster area of the frame.

Storage Conditions

Goods should be stored at 0° to 25°C in a dry place. Store in the original package.

Design Considerations

Suitable for silk screen printing, max. letter height is 15 mm.

Cleaning and Disinfecting

Clean your displays, with damp microfiber clothes, rinsed with simply water or warm, soapy or gentle shampooed water. Avoid using vinegar, abrasive, acidic, alcohol-based or heavy cleaners or cleaners containing Ammonia. Only after cleaning the product, if needed, simply apply disinfectant or sanitizer that is in compliance with your local guidelines and regulations.

Certifications / Patents

TR 2006 06254, PCT/TR 2006/000064

PRINT TEMPLATES

Weatherproof Frame 25 mm - A4

Document Size: 220 x 307 mm (Includes Bleeds)
Finished Size: A4 (210 x 297 mm) [Print](#)

Weatherproof Frame 25 mm - A3

Document Size: 307 x 430 mm (Includes Bleeds)
Finished Size: A3 (297 x 420 mm) [Print](#)

Weatherproof Frame 25 mm - A2

Document Size: 430 x 604 mm (Includes Bleeds)
Finished Size: A2 (420 x 594 mm) [Print](#)

Weatherproof Frame 25 mm - A1

Document Size: 604 x 851 mm (Includes Bleeds)
Finished Size: A1 (594 x 841 mm) [Print](#)

Weatherproof Frame 35 mm - A4

Document Size: 220 x 307 mm (Includes Bleeds)
Finished Size: A4 (210 x 297 mm) [Print](#)

Weatherproof Frame 35 mm - A3

Document Size: 307 x 430 mm (Includes Bleeds)
Finished Size: A3 (297 x 420 mm) [Print](#)

Weatherproof Frame 35 mm - A2

Document Size: 430 x 604 mm (Includes Bleeds)
Finished Size: A2 (420 x 594 mm) [Print](#)

Weatherproof Frame 35 mm - A1

Document Size: 604 x 851 mm (Includes Bleeds)
Finished Size: A1 (594 x 841 mm) [Print](#)

Weatherproof Frame 35 mm - A0

Document Size: 851 x 1199 mm (Includes Bleeds)
Finished Size: A0 (841 x 1189 mm) [Print](#)

Weatherproof Frame 25 mm - B2

Document Size: 510 x 710 mm (Includes Bleeds)
Finished Size: B2 (500 x 700 mm) [Print](#)

Weatherproof Frame 25 mm - B1

Document Size: 710 x 1010 mm (Includes Bleeds)
Finished Size: B1 (700 x 1000 mm) [Print](#)

Weatherproof Frame 1" - 18"x24"

Document Size: 18.4" x 24.4" (Includes Bleeds)
Finished Size: 18"x24" (457.2x609.6 mm)

Weatherproof Frame 1" - 20"x30"

Document Size: 20.4" x 30.4" (Includes Bleeds)
Finished Size: 20"x30" (508x762 mm) [Print](#)

Weatherproof Frame 35 mm - B2

Document Size: 510 x 710 mm (Includes Bleeds)
Finished Size: B2 (500 x 700 mm) [Print](#)

Weatherproof Frame 35 mm - B1

Document Size: 710 x 1010 mm (Includes Bleeds)
Finished Size: B1 (700 x 1000 mm) [Print](#)

Weatherproof Frame 35 mm - B0

Document Size: 1010 x 1410 mm (Includes Bleeds)
Finished Size: B1 (1000 x 1400 mm) [Print](#)

Weatherproof Frame 1.38" - 18"x24"

Document Size: 18.4" x 24.4" (Includes Bleeds)
Finished Size: 18"x24" (457.2x609.6 mm)

Weatherproof Frame 1.38" - 20"x30"

Document Size: 20.4" x 30.4" (Includes Bleeds)
Finished Size: 20"x30" (508x762 mm) [Print](#)

Weatherproof Frame 1" - 22"x28"

Document Size: 22.4" x 28.4" (Includes Bleeds)
Finished Size: 22"x28" (558.8x711.1 mm)

Weatherproof Frame 1" - 24"x36"

Document Size: 24.4" x 36.4" (Includes Bleeds)
Finished Size: 24"x36" (609.6x914.4)

Weatherproof Frame 1" - 30"x40"

Document Size: 30.4" x 40.4" (Includes Bleeds)
Finished Size: 30"x40" (762x1016 mm) [Print](#)

Weatherproof Frame 1.38" - 22"x28"

Document Size: 22.4" x 28.4" (Includes Bleeds)
Finished Size: 22"x28" (508x762 mm)

Weatherproof Frame 1.38" - 24"x36"

Document Size: 24.4" x 36.4" (Includes Bleeds)
Finished Size: 24"x36" (508x762 mm)

Weatherproof Frame 1.38" - 30"x40"

Document Size: 30.4" x 40.4" (Includes Bleeds)
Finished Size: 30"x40" (762x1016 mm) [Print](#)

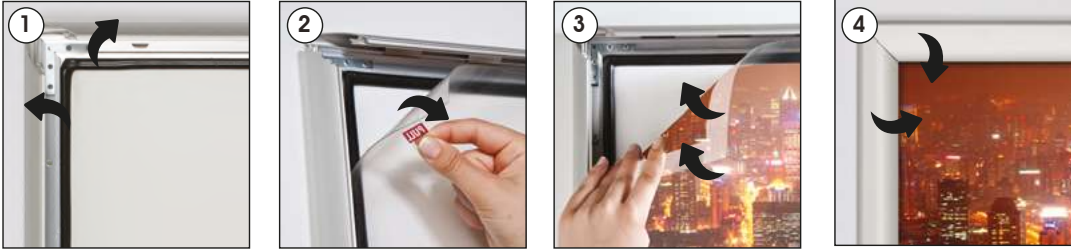
Weatherproof Frame 1.38" - 40"x60"

Document Size: 40.4" x 60.4" (Includes Bleeds)
Finished Size: 40"x60" (1016x1524 mm) [Print](#)



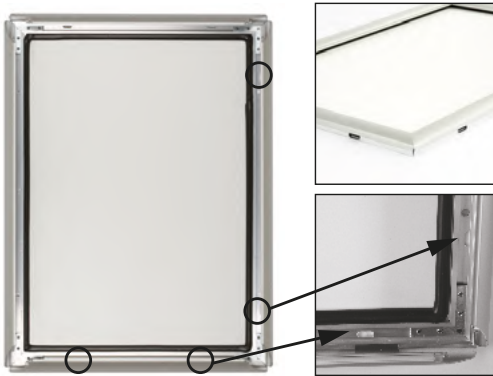
INSTALLATION INSTRUCTIONS

Weatherproof Frame / 1001983



Screw & anchor mounting

Each frame includes wall mounting accessories
(4 screws & 4 anchors)



CAUTION!
Beware of the drainage slots found on the lower profile while mounting the frame.



- Please inform the order number on the product or on the carton (e.g. 1/110001394-460) to the place that you have made the purchase if any problem with the product occurs.
- All rights reserved. All pictures, figures and writings are secured internationally by copy-right law. Infringements will be sued by civil and legal law.

This technical sheet's contents are all subject to update and modification at MT Displays' exclusive discretion. There is nothing official about this document. For final and legally binding information, please get in touch with the sales staff at MT Displays.



T: +90 850 433 67 85 / info@mtdisplays.com / www.mtdisplays.com